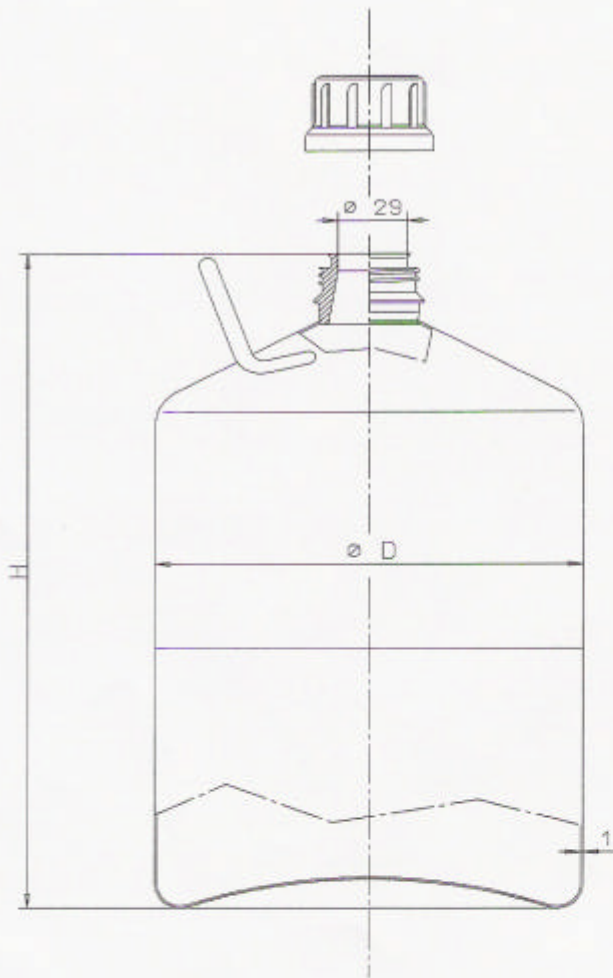


# EB-STERIL SA

CONSULTING ENGINEERING MANUFACTURING



## STAINLESS STEEL CANS (Flasks) KG 0.1, KG 0.25, KG 0.5, KG 01, KG 02, KG 05, KG 07, KG 10, KG 20, KG 30

Robust small containers for the use as  
returnable packagings

Approved as pressure vessel for an admissible  
pressure of 0,3 bar

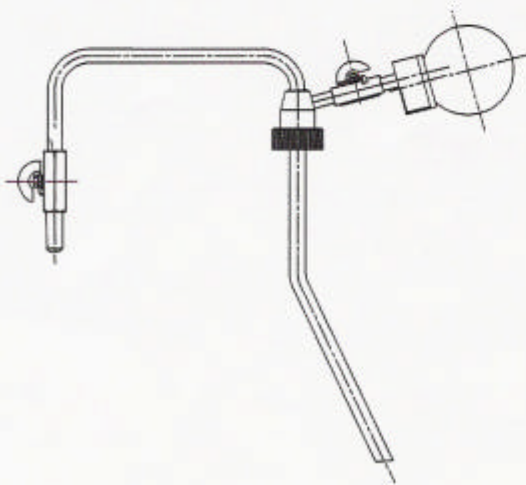
International approval for the transport of  
hazardous goods under UN 1A1 / X2.0 / 900

Thread GL 45, opening 29 mm

Completely made of stainless steel grade 304,  
wall-thickness 1 mm, white pickled

Plastic closure of PP with originality-ring and  
PTFE gasket

Type	Volume	D	app. H	Mass	
Handle	(l)	(mm)	(mm)	(kg)	
KG 0.1	0,11	45	135	0,2	no
KG 0.25	0,3	67	135	0,3	no
KG 0.5	0,6	89	170	0,5	no
KG 01	1,3	108	185	0,6	no
KG 02	2,7	140	235	0,9	no
KG 05	6,1	181	300	1,6	1
KG 07	7,8	197	325	1,8	1
KG 10	12,2	229	365	2,4	1
KG 20	22,0	278	460	3,4	1



Accessory:

Dispenser system for discharging  
by hand pump type EG  
(see separate data-sheet)