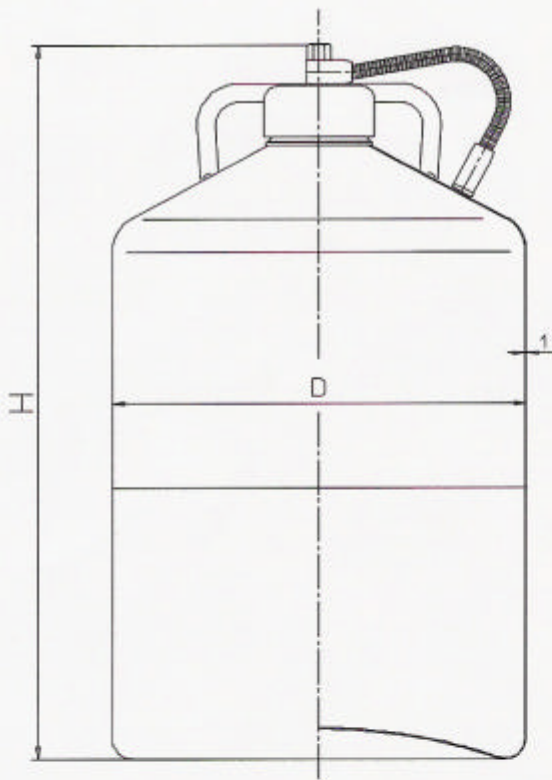


EB-STERIL SA

CONSULTING ENGINEERING MANUFACTURING



STAINLESS STEEL CANS (Flasks)

JM 0.1, JM 0.25, JM 0.5, JM 01, JM 02, JM 05, JM 07, JM 10, JM 20, JM 30

Robust small containers for aseptic application

Approved as pressure vessel for an admissible pressure of 0,3 bar

International approval for the transport of hazardous goods under UN 1A1 / X2.0 / 900

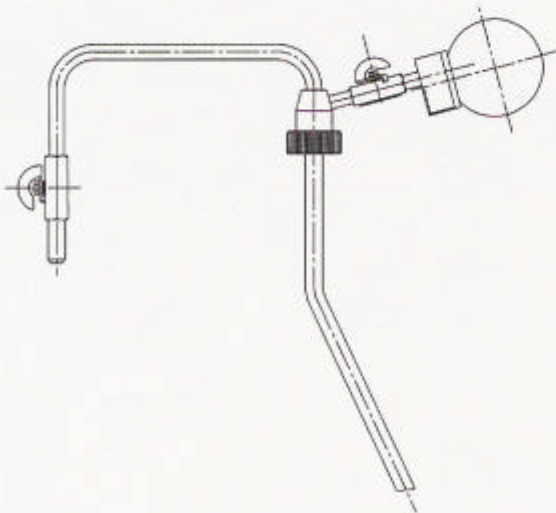
Thread GL 45, opening 29 mm

Made of stainless steel grade 316 L, wall-thickness 1 mm, completely electropolished

Unlosable stainless steel closure with integrated PTFE-seal

Container completely autoclavable

Type	Volume (l)	D mm	H mm	Weight kg	Handle
JM 0.1	0,11	45	135	0,2	no
JM 0.25	0,3	67	135	0,3	no
JM 0.5	0,6	89	170	0,5	no
JM 01	1,3	108	185	0,6	no
JM 02	2,7	140	235	0,9	no
JM 05	6,1	181	300	1,6	1
JM 07	7,8	197	325	1,8	1
JM 10	12,2	229	365	2,4	1
JM 20	22,0	278	460	3,4	1
JM 30	32,2	324	500	4,5	2



Handling Accessory:

Dispenser system for discharging by hand pump type EM (see separate data-sheet)